



A stairlift tailor-made for children

Our new child stairlift can be tailored to the child's particular needs and size, and can be made to fit practically any type of stairs - straight, curved or narrow.

1 R82 DESIGNED SEAT

provides the maximum comfort and support for the child. Comes with a range of different cushions and seat harness to tailor the seat to the child's specific needs.

2 DIRECTIONAL CONTROLS

either a user-friendly, light-touch joystick (shown) or optional push-buttons can be mounted on whichever arm is easiest. Can be removed if control is preferred via the remote control only.

3 MANUAL SEAT SWIVEL OR POWERED SWIVEL OPTION

light-touch levers on either side of the seat operate the manual swivel seat. A power assisted swivel option is available - operated via the remote control, joystick or push-button controls. The ability to swivel at the top of the stairs means the stairlift acts as a safety barrier, blocking off the stairwell and making child handling safer.

4 SAFETY SENSOR

enables the stairlift to stop if it meets an obstruction on the stairs.



5 FOOTREST

to provide support for the child if required (optional).

6 ON-OFF SWITCH

provides power to the stairlift.

7 KEYSWITCH

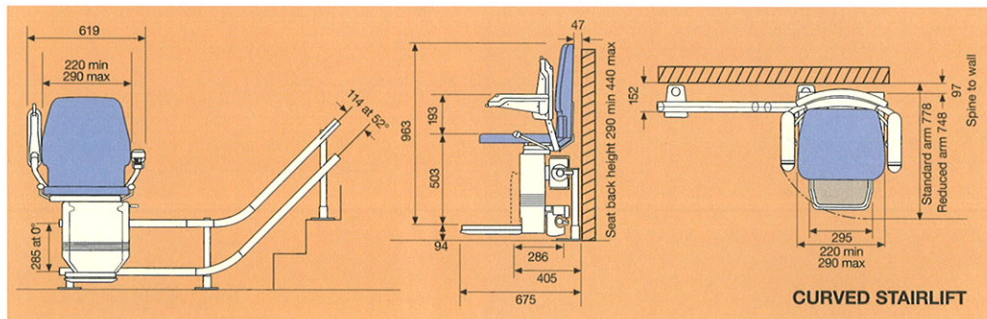
can be used to completely immobilise the stairlift.

8 INFRARED REMOTE CONTROL

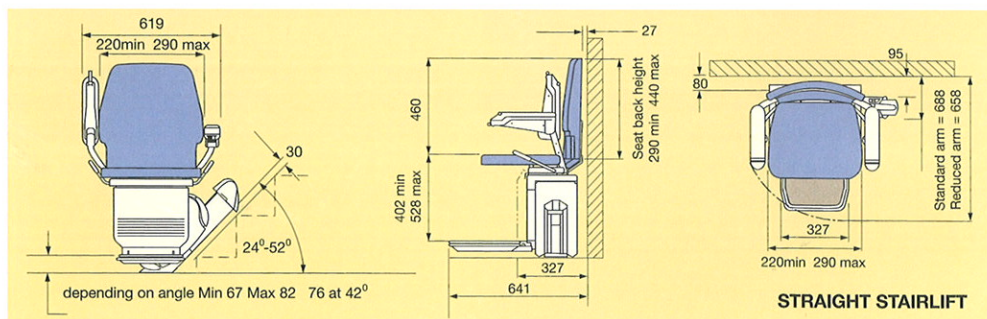
enables the parent to move the stairlift up and down the stairs, with or without the child in the seat.



BUILT TO BRITISH STANDARDS for safety and reliability.



CURVED STAIRLIFT



STRAIGHT STAIRLIFT

Basic dimensions subject to change. Attachment of R82 seat may alter basic stairlift dimensions and turning circle - dependent on options and user needs.

A range of accessories is available.



Head support



Seat harness



Side supports



Seat extension



For details call 0800 715 358 (24 hours)
www.stannahstairlifts.co.uk

